

RCD Status Indicator

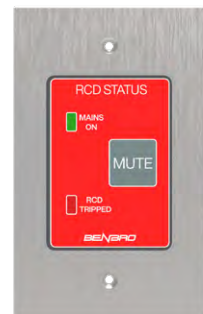


Description

The Benbro RCD Status Indicator has been specifically designed to provide remote indication of the RCD Status in a medical or other critical environments and is suitable for installation in areas such as: Operating Theatres, Intensive Care, Recovery Wards, Isolation Rooms, Nursing Stations, Treatment Rooms, and other Special Care areas. The RCD Status Indicator can also be utilised on general RCD monitoring services such as Cold Storage, Critical Pump Systems, etc.



Standard Model



Stainless Model

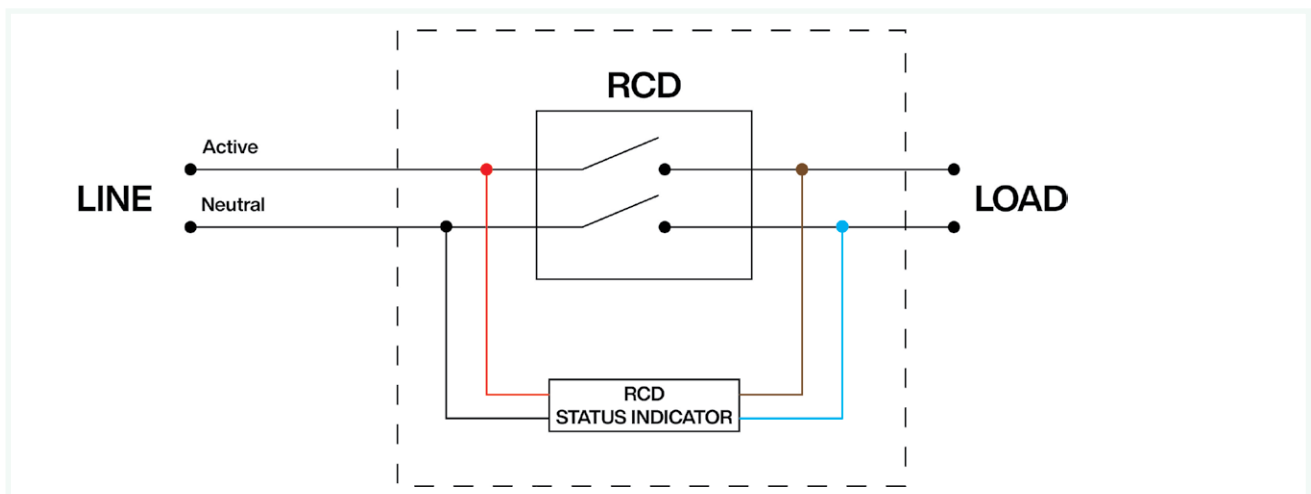
Function

The unit is connected to the RCD electrical supply system and will indicate 'Mains ON' with a Green LED indicator. The unit will indicate RCD TRIP with a synchronised, pulsating, audible alarm and a visual flashing Red LED alarm indicator. RCD Status Indicator is equipped with an audio mute button (the audible alarm will continue until mute). The visual alarm (and the audible alarm-if not muted) shall continue until the RCD is reset using the RESET button.

Features

- Suitable for wall mounting in a standard Australian electrical accessory bracket.
- The mute function can be configured to “time out” if left unattended for periods of 1hr – 4hrs.

Wiring Diagram



WARNINGS:

- The unit is a 240Vac Mains operated device and needs to be installed by a Licenced Electrician.
- This product contains no serviceable parts and no attempt should be made to repair this product. If the product is faulty it should be discarded
- An appropriate mains disconnect device shall be provided external to the RCD status indicator panel.
- This product should only be cleaned with a damp cloth. Cleaning agents and solvents should not be used.

Specifications

Power Supply	240Vac 50Hz, 55mA/36mA Max, 47-63Hz
Fuse Rating	The fuse is user non-replaceable
Mains Indicator	Green LED indicates mains ON
Alarm Indicator	Flashing Red LED indicates RCD has tripped
Audible Alarm	Pulsing buzzer indicates RCD has tripped
Mute Function	1 minute or 1hr-4hrs
Connection Wires	0.75mm ²
Operating Temperature Range	0-55°C
Mounting	Wall mount 84mm mounting centres

Mute Delay Setting Procedure

1. Press and hold in the 'Mute' button on the unit and after approximately 15 seconds, the 'Red' on the unit will start to flash quickly and in time with the audible beep from the buzzer, the 'Green' LED will remain steadily on.
2. Once the above flashing has started, let go of the 'Mute' button on the unit, wait for the Red LED to stop flashing and then press the 'Mute' button the desired number of times as per the list below. Each press will be accompanied by a flash from the 'Red' LED and a beep from the buzzer. Note the maximum is five presses.
 - 1 Press = 1 Hour Delay
 - 2 Presses = 2 Hours Delay
 - 3 Presses = 3 Hours Delay
 - 4 Presses = 4 Hours Delay
 - 5 Presses = 1 Minute Delay
3. After pressing the 'Mute' button the desired times, wait and the unit will confirm and indicate the number of times you pressed the button by flashing the 'Red' LED accompanied by an audible beep the number of times the button was pressed, this is to indicate to you the settings that it is storing.
4. The unit has now stored the desired settings and is ready for use.